

Handle

Applications

- Mineral water
- Edible oil

Features

- For DIN 48 mm PET bottles 3, 5, 8, and 10 l

Benefits






- Innovative design, easy to bend



Decoration

- Colors to suit

Technical specifications

-  DIN 48 - Handle
-  HDPE
-  90.2 mm
-  105 mm
-  1200
-  18000

All dimensions subject to standard tolerances



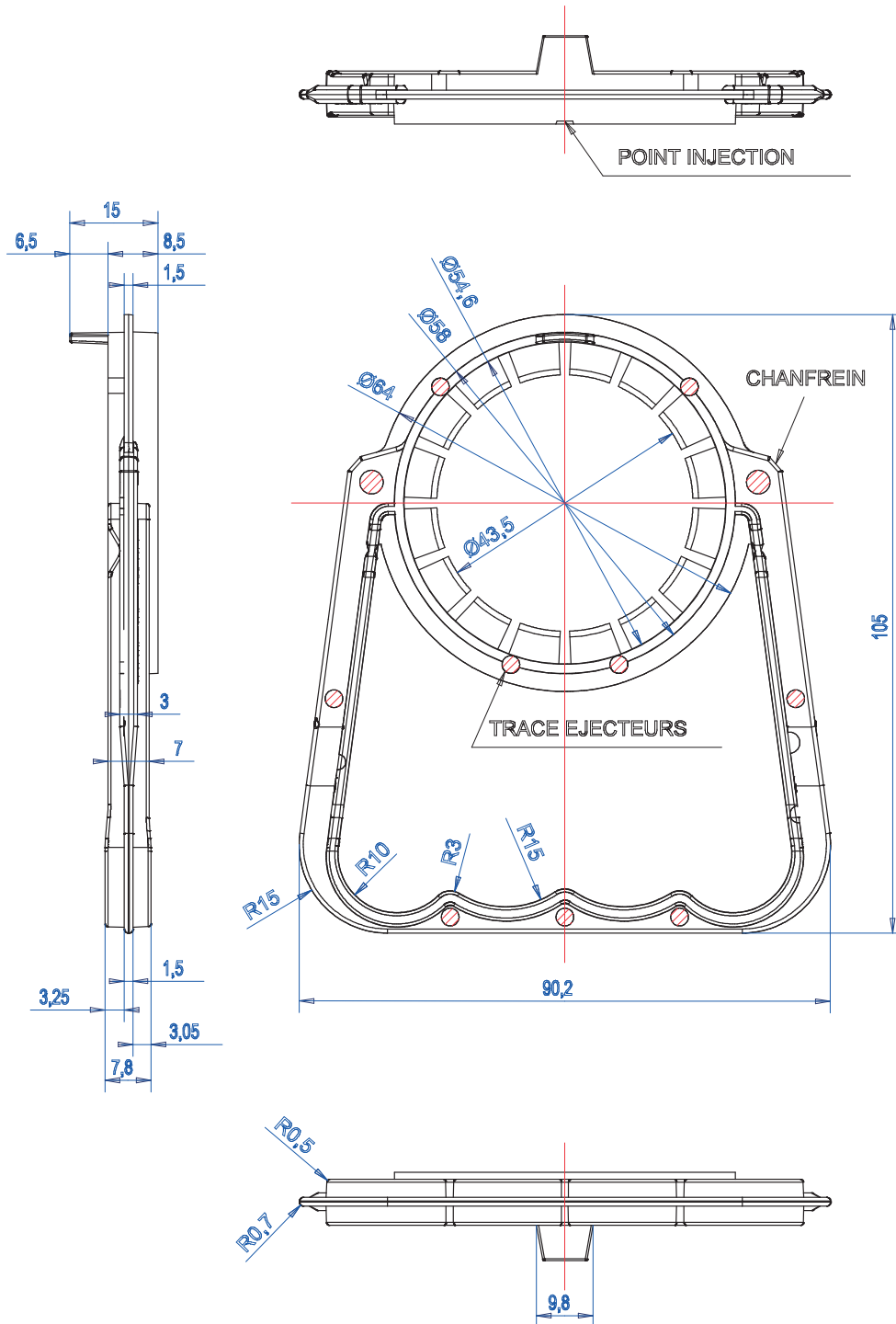
DEWIT PLASTICS bvba

Sluizenstraat 83, B-2900 Schoten, Belgium
Tel +32 (0)3 685 25 24 - Fax +32 (0)3 685 08 28
www.dewitplastics.com



**DEWIT
PLASTICS**

INJECTION



DEWIT PLASTICS bvba

Sluizenstraat 83, B-2900 Schoten, Belgium
Tel +32 (0)3 685 25 24 - Fax +32 (0)3 685 08 28
www.dewitplastics.com